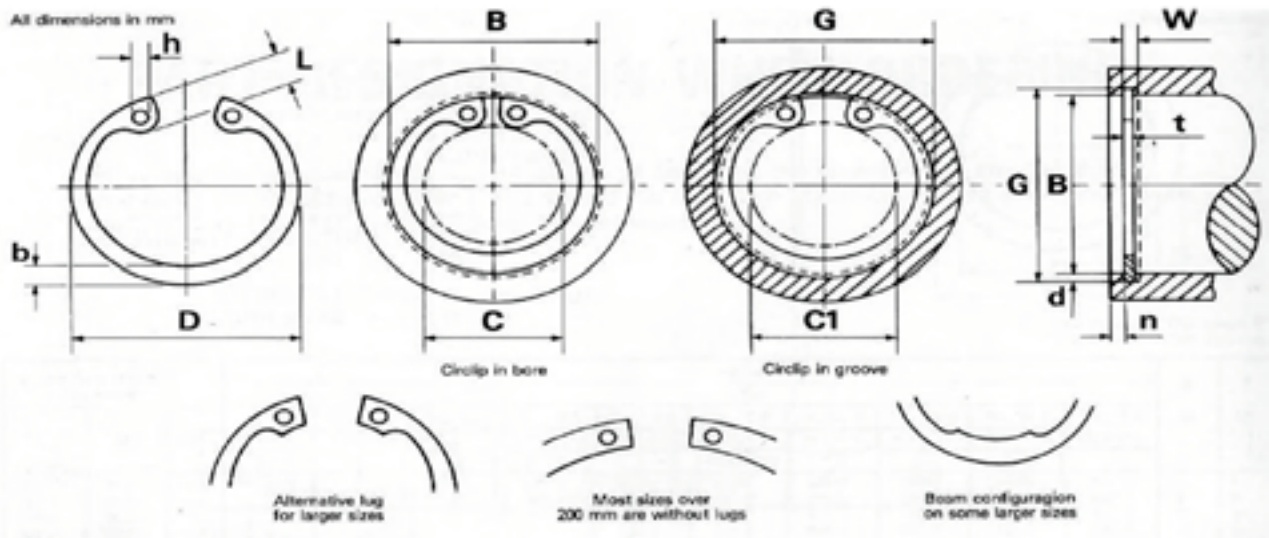


Circlips - Internal



Circlips - Internal																
SIZE CODE	BORE		GROOVE (G)							CIRCLIP (F)						
	B	G	Tol.	W	Tol.	n (min.)	d~	t	Tol.	D	Tol.	C	C1	L (max)	b~	h (min)
1300-8	8	8.4	(+0.09 -0.00)	0.9	(+0.14 -0.00)	0.6	0.2	0.8	-	8.7	(+0.36 -0.10)	3	3.6	2.4	1.1	1
1300-9	9	9.4		0.9		0.6	0.2	0.8	-	9.8		3.7	4.4	2.5	1.3	1
1300-10	10	10.4	1.1	0.6		0.2	1	-	10.8	3.3		4	3.2	1.4	1.2	
1300-11	11	11.4	1.1	0.6		0.2	1	-	11.8	4.1		4.8	3.3	1.5	1.2	
1300-12	12	12.5	1.1	0.8		0.25	1	-	13	4.9		5.7	3.4	1.7	1.5	
1300-13	13	13.6	1.1	0.9		0.3	1	-	14.1	5.4		6.4	3.6	1.8	1.5	
1300-14	14	14.6	(+0.11 -0.00)	1.1		0.9	0.3	1	-	15.1		6.2	7.2	3.7	1.9	1.7
1300-15	15	15.7		1.1		1.1	0.35	1	-	16.2		7.2	8.3	3.7	2	1.7
1300-16	16	16.8	1.1	1.2		0.4	1	-	17.3	8		9.2	3.8	2	1.7	
1300-17	17	17.8	1.1	1.2		0.4	1	-	18.3	8.8		10	3.9	2.1	1.7	
1300-18	18	19	(+0.13 -0.00)	1.1		1.5	0.5	1	-	19.5	9.4	10.8	4.1	2.2	2	
1300-19	19	20		1.1		1.5	0.5	1	-	20.5	10.4	11.8	4.1	2.2	2	
1300-20	20	21		1.1		1.5	0.5	1	-	21.5	11.2	12.6	4.2	2.3	2	
1300-21	21	22		1.1		1.5	0.5	1	-	22.5	12.2	13.6	4.2	2.4	2	
1300-22	22	23	(+0.21 -0.00)	1.1		1.5	0.5	1	-	23.5	13.2	14.6	4.2	2.5	2	
1300-23	23	24.1		1.3		1.7	0.6	1.2	-	24.6	14.2	15.7	4.2	2.5	2	
1300-24	24	25.2		1.3		1.8	0.6	1.2	-	25.9	14.8	16.4	4.4	2.6	2	
1300-25	25	26.2		1.3		1.8	0.6	1.2	-	26.9	15.5	17.2	4.5	2.7	2	
1300-26	26	27.2		1.3		1.8	0.6	1.2	-	27.9	16.1	17.8	4.7	2.8	2	
1300-27	27	28.4		1.3		2.1	0.7	1.2	-	29.1	17.1	19	4.7	2.9	2	
1300-28	28	29.4		1.3		2.1	0.7	1.2	-	30.1	17.9	19.8	4.8	2.9	2	
1300-29	29	30.4	(+0.25 -0.00)	1.3		2.1	0.7	1.2	-	31.1	18.9	20.8	4.8	3	2	
1300-30	30	31.4		1.3		2.1	0.7	1.2	-	32.1	19.9	21.8	4.8	3	2	
1300-31	31	32.7		1.3		2.6	0.85	1.2	-	33.4	20	22.3	5.2	3.2	2.5	
1300-32	32	33.7		1.3		2.6	0.85	1.2	-	34.4	20.6	22.9	5.4	3.2	2.5	
1300-33	33	34.7		1.3		2.6	0.85	1.2	-	35.5	21.6	23.9	5.4	3.3	2.5	

Circlips - Internal																
SIZE CODE	BORE		GROOVE (G)						CIRCLIP (F)							
	B	G	Tol.	W	Tol.	n (min.)	d~	t	Tol.	D	Tol.	C	C1	L (max)	b~	h (min)
1300-34	34	35.7	(+0.25 (-)0.00	1.6	(+0.00 (-)0.06	2.6	0.85	1.5	(+0.00 (-)0.06	36.5	(+0.050 (-)0.25	22.6	24.9	5.4	3.3	2.5
1300-35	35	37		1.6		3	1	1.5		37.8		23.6	26.2	5.4	3.4	2.5
1300-36	36	38		1.6		3	1	1.5		38.8		24.6	27.2	5.4	3.5	2.5
1300-37	37	39		1.6		3	1	1.5		39.8		25.4	28	5.5	3.6	2.5
1300-38	38	40		1.6		3	1	1.5		40.8		26.4	29	5.5	3.7	2.5
1300-39	39	41		1.6		3	1	1.5		42		27.3	29.8	5.6	3.8	2.5
1300-40	40	42.5		1.85		3.8	1.25	1.75		43.5	27.8	30.9	5.8	3.9	2.5	
1300-41	41	43.5		1.85		3.8	1.25	1.75		44.5	28.6	31.7	5.9	4	2.5	
1300-42	42	44.5		1.85		3.8	1.25	1.75		45.5	29.6	32.7	5.9	4.1	2.5	
1300-43	43	45.5		1.85		3.8	1.25	1.75		46.5	30.6	33.7	5.9	4.2	2.5	
1300-44	44	46.5		1.85		3.8	1.25	1.75		47.5	31.4	34.5	6	4.2	2.5	
1300-45	45	47.5		1.85		3.8	1.25	1.75		48.5	32	35.1	6.5	4.3	2.5	
1300-46	46	48.5		1.85		3.8	1.25	1.75		49.5	32.8	35.9	6.3	4.4	2.5	
1300-47	47	49.5		1.85		3.8	1.25	1.75		50.5	33.5	36.7	6.4	4.4	2.5	
1300-48	48	50.5	1.85	3.8	1.25	1.75	51.5	34.5	37.7	6.4	4.5	2.5				
1300-50	50	53	2.15	4.5	1.5	2	54.2	36.3	40	6.5	4.6	2.5				
1300-51	51	54	2.15	4.5	1.5	2	55.2	37.3	41	6.5	4.7	2.5				
1300-52	52	55	2.15	4.5	1.5	2	56.2	37.9	41.6	6.7	4.7	2.5				
1300-53	53	56	2.15	4.5	1.5	2	57.2	39	42.6	6.7	4.9	2.5				
1300-54	54	57	2.15	4.5	1.5	2	58.2	40	43.6	6.7	5	2.5				
1300-55	55	58	2.15	4.5	1.5	2	59.2	40.7	44.4	6.8	5	2.5				
1300-56	56	59	2.15	4.5	1.5	2	60.2	41.7	45.4	6.8	5.1	2.5				
1300-57	57	60	2.15	4.5	1.5	2	61.2	42.7	46.4	6.8	5.2	2.5				
1300-58	58	61	2.15	4.5	1.5	2	62.2	43.5	47.2	6.9	5.2	2.5				
1300-60	60	63	2.15	4.5	1.5	2	64.2	44.7	48.4	7.3	5.4	2.5				
1300-61	61	64	2.15	4.5	1.5	2	65.2	45.7	49.4	7.3	5.4	2.5				
1300-62	62	65	2.15	4.5	1.5	2	66.2	46.7	50.4	7.3	5.5	2.5				
1300-63	63	66	2.15	4.5	1.5	2	67.2	47.7	51.4	7.3	5.6	2.5				
1300-64	64	67	2.15	4.5	1.5	2	68.2	48.7	52.4	7.4	5.7	2.5				
1300-65	65	68	2.65	4.5	1.5	2.5	69.2	49	52.8	7.6	5.8	3				
1300-67	67	70	2.65	4.5	1.5	2.5	71.5	50.8	54.6	7.7	6	3				
1300-68	68	71	2.65	4.5	1.5	2.5	72.5	51.6	55.4	7.8	6.1	3				
1300-70	70	73	2.65	4.5	1.5	2.5	74.5	53.6	57.4	7.8	6.2	3				
1300-72	72	75	2.65	4.5	1.5	2.5	76.5	55.6	59.4	7.8	6.4	3				
1300-75	75	78	2.65	4.5	1.5	2.5	79.5	58.6	62.4	7.8	6.6	3				
1300-77	77	80	2.65	4.5	1.5	2.5	82.5	59.2	63	8.5	6.8	3				
1300-78	78	81	2.65	4.5	1.5	2.5	82.5	60.1	64	8.5	6.8	3				
1300-80	80	83.5	2.65	5.3	1.75	2.5	85.5	62.1	66.5	8.5	7	3				
1300-81	81	84.5	2.65	5.3	1.75	2.5	86.5	62.2		8.5	7	3				

Circlips - Internal																
SIZE CODE	BORE		GROOVE (G)						CIRCLIP (F)							
	B	G	Tol.	W	Tol.	n (min.)	d~	t	Tol.	D	Tol.	C	C1	L (max)	b~	h (min)
1300-82	82	85.5	(+0.35 (-)0.00	2.65	(+0.14 (-)0.00	5.3	1.75	2.5	(+0.00 (-)0.07	87.5	(+1.30 (-)0.54	64.1	68.5	8.5	7	3
1300-83	83	86.5		2.65		5.3	1.75	2.5		88.5		65.2	69.5	8.5	7	3
1300-85	85	88.5		3.15	5.3	1.75	3	90.5		66.9		71.3	8.6	7.2	3.5	
1300-87	87	90.5		3.15	5.3	1.75	3	93.5		69		73.3	8.6	7.4	3.5	
1300-88	88	91.5		3.15	5.3	1.75	3	93.5		69.9		74.3	8.6	7.4	3.5	
1300-90	90	93.5		3.15	5.3	1.75	3	95.5		71.9		76.3	8.6	7.6	3.5	
1300-92	92	95.5		3.15	5.3	1.75	3	97.5		73.7		78.1	8.7	7.8	3.5	
1300-95	95	98.5		3.15	5.3	1.75	3	100.5		76.5		80.9	8.8	8.1	3.5	
1300-97	97	100.5		3.15	5.3	1.75	3	103.5		78.1		82.5	9	8.3	3.5	
1300-98	98	101.5		3.15	5.3	1.75	3	103.5		79		83.5	9	8.3	3.5	
1300-100	100	103.5	3.15	5.3	1.75	3	105.5	80.6	85.1	9.2	8.4	3.5				
1300-102	102	106	(+0.54 (-)0.00	4.15	(+0.18 (-)0.00	6	2	4	(+0.00 (-)0.10	108	(+1.50 (-)0.63	82	87	9.5	8.5	3.5
1300-105	105	109		4.15		6	2	4		112		85	90	9.5	8.7	3.5
1300-107	107	111		4.15		6	2	4		115		87	92	9.5	8.9	3.5
1300-108	108	112		4.15		6	2	4		115		88	93	9.5	8.9	3.5
1300-110	110	114		4.15		6	2	4		117		88.2	93.2	10.4	9	3.5
1300-112	112	116		4.15		6	2	4		119		90	95	10.5	9.1	3.5
1300-115	115	119		4.15		6	2	4		122		93	98	10.5	9.3	3.5
1300-117	117	121		4.15		6	2	4		125		94.6	99.6	10.7	9.6	3.5
1300-118	118	122		4.15		6	2	4		125		95.6	100.6	10.7	9.6	3.5
1300-120	120	124		4.15		6	2	4		127		96.9	102	11	9.7	3.5
1300-125	125	129	(+0.63 (-)0.00	4.15	(+0.18 (-)0.00	6	2	4	(+0.00 (-)0.10	132	(+1.50 (-)0.63	101.9	107	11	10	4
1300-127	127	131		4.15		6	2	4		135		103.9	109	11	10	4
1300-128	128	132		4.15		6	2	4		135		104.9	110	11	10	4
1300-130	130	134		4.15		6	2	4		137		106.9	112	11	10.2	4
1300-135	135	139		4.15		6	2	4		142		111.5	116	11.2	10.5	4
1300-140	140	144		4.15		6	2	4		147		116.5	121	11.2	10.7	4
1300-145	145	149		4.15		6	2	4		152		121	126	11.4	10.9	4
1300-150	150	155		4.15		7.5	2.5	4		158		124.8	131	12	11.2	4
1300-155	155	160		4.15		7.5	2.5	4		164		129.8	136	12	11.4	4
1300-160	160	165		4.15		7.5	2.5	4		169		132.7	144	13	11.6	4
1300-165	165	170	(+0.72 (-)0.00	4.15	(+0.18 (-)0.00	7.5	2.5	4	(+0.00 (-)0.10	174.5	(+1.7 (-)0.72	137.7	144	13	11.8	4
1300-170	170	175		4.15		7.5	2.5	4		179.5		141.6	148	13.5	12.2	4
1300-175	175	180		4.15		7.5	2.5	4		184.5		146.6	153	13.5	12.7	4
1300-180	180	185		4.15		7.5	2.5	4		189.5		150.2	156	14.2	13.2	4
1300-185	185	190		4.15		7.5	2.5	4		194.5		155.2	161	14.2	13.7	4
1300-190	190	195		4.15		7.5	2.5	4		199.5		160.2	166	14.2	13.8	4
1300-195	195	200		4.15		7.5	2.5	4		204.5		165.2	171	14.2	13.8	4
1300-200	200	205		4.15		7.5	2.5	4		209.5		170.2	176	14.2	14	4